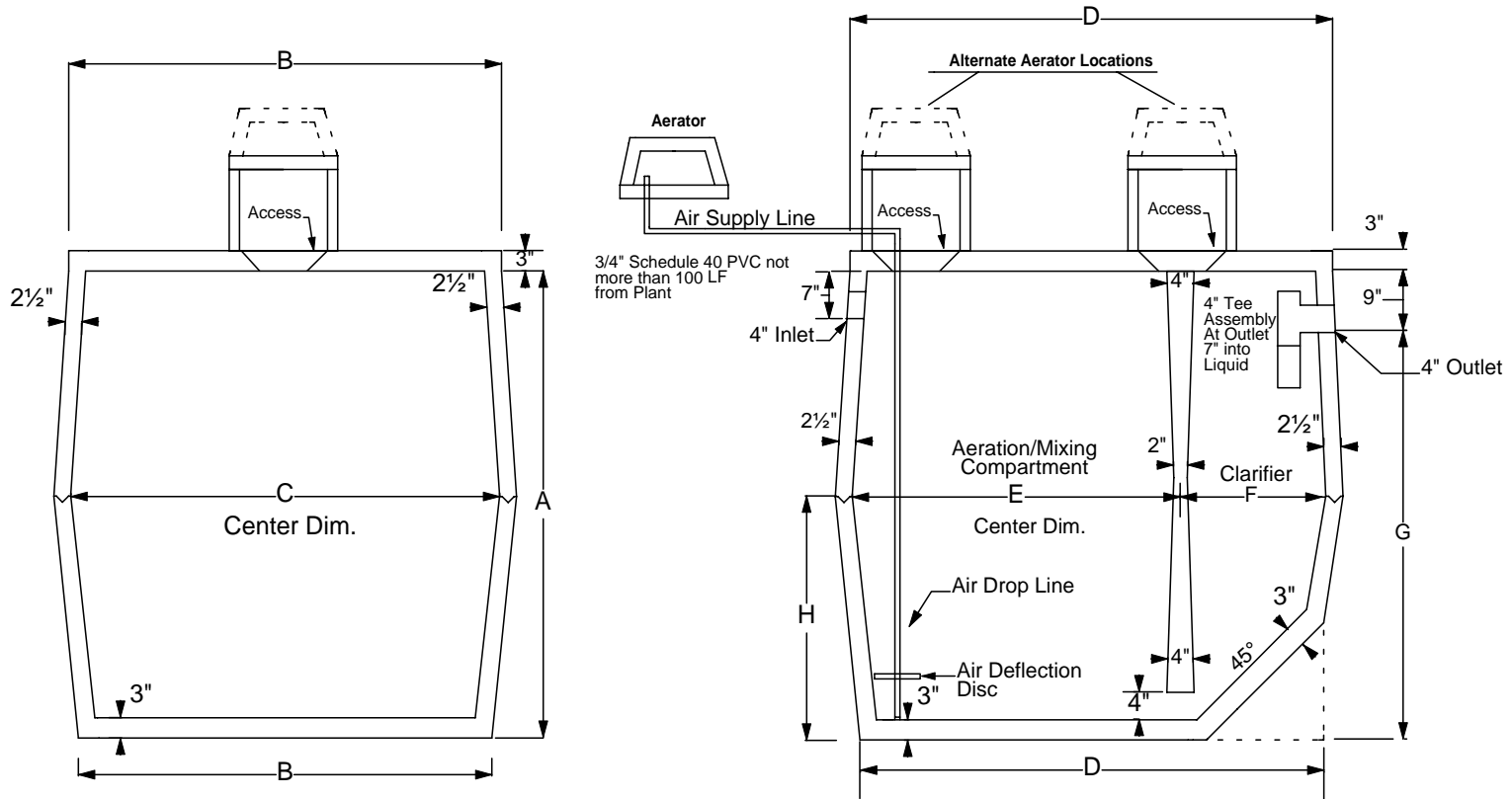


AquaAire Sewage Treatment System Model AA500T, AA750T, AA1500T Two Piece Tank



Schedule

Designation	Trtmt Capacity	BOD Loading	Total Volume	Aeration Volume	Clarifier Volume	A	B	C	D	E	F	G	H
AA500T	500GPD	1.25	714	533	181	64	60	57	67 1/2	44	18 1/2	55	33 1/2
AA750T	750GPD	1.85	1025	775	250	64	60	57	94	63 1/2	27 1/2	55	33 1/2
AA1500T	1500GPD	3.75	2207	1701	506	74	75	72	131	90	38	65	38 1/2